



DYNAMIC MICROPHONE

DM-1300

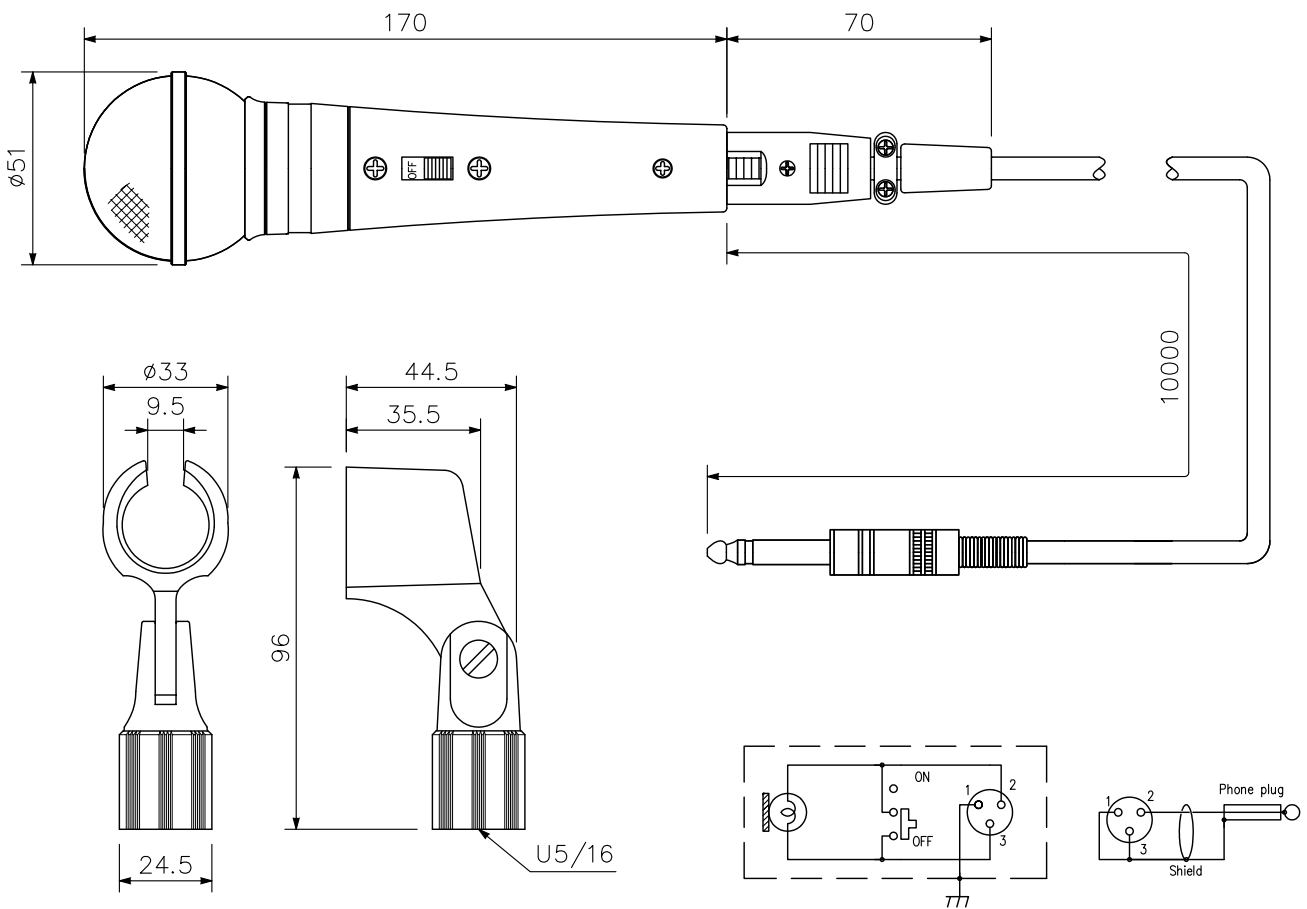
DESCRIPTION

The DM-1300 is a microphone suited to both vocal and speech applications.

SPECIFICATIONS

Type	Moving coil microphone
Directivity	Unidirectional
Rated Impedance	600 Ω, balanced
Rated Sensitivity	-54 dB (1 kHz 0 dB=1 V/Pa)
Frequency Response	70 - 15,000 Hz
Connection Cables	Single-core shielded cable, unbalanced
Cable Length	10 m
Terminal of Cable	Phone plug
Talk Switch	Short-off, slide switch
Finish	Body: Die-cast zinc, metallic gray, paint Head: Steel/zinc-plated steel wire, metallic gray, paint
Dimensions	ø51 X 170 mm (without connection cable)
Weight	245 g (without connection cable)
Accessory	Microphone holder (U5/16)×1

APPEARANCE



Circuit Diagram

UNIT:mm SCALE:1/2